

Postgraduate Certificate Modeling Techniques and their Application in Rhino



Postgraduate Certificate Modeling Techniques and their Application in Rhino

- » Modality: online
- » Duration: 6 weeks
- » Certificate: TECH Global University
- » Credits: 6 ECTS
- » Schedule: at your own pace
- » Exams: online

Website: www.techtute.com/us/videogames/postgraduate-certificate/modeling-techniques-application-rhino

Index

01

Introduction

p. 4

02

Objectives

p. 8

03

Course Management

p. 12

04

Structure and Content

p. 16

05

Methodology

p. 20

06

Certificate

p. 28

01

Introduction

Many studios and companies require designers to have 3D modeling in Rhino as an admission or hiring requirement for their application in video game graphics design. As a result, this online program has been designed to enable professionals to evolve at the same time as the demands of the industry. Students who decide to start will be able to generate a wide variety of designs, from the simplest to the most complex geometric designs. The theory, together with the practice of this training, will be given by the best teachers who, on a daily basis, work hand in hand with the software and 3D modeling. Therefore, the learning success is safe and comfortable, since it is taught in online.





“

Become an expert in 3D modeling in Rhino and specialize your career towards the area of video game graphics development”

The consolidation of Rhino as a software specialized in artistic production and graphics design for videogames is a reality. The reason is due to the wide variety of designs that can be created, modified, and rendered from the software. Therefore, this program aims to boost the career of all those professionals who wish to delve into the Rhino 3D modeling techniques for subsequent application in the gamer sector.

This program, in addition to establishing the theoretical and conceptualization bases, provides a great practical dimension to the students, who in only 6 weeks will be able to apply the most detailed and necessary techniques to be able to create any figure, character, object or quality product.

The Postgraduate Certificate stands out for the scope of its content, but also because it is aimed at those who want to specialize in the development of graphics for video games and get new career opportunities, as well as for those professionals who decide to recycle their knowledge.

The student will have access to all the pedagogical resources and multimedia material through the virtual platform, since its format is entirely online. The program adjusts to the student's schedule and time, since only a device with Internet access is needed to take this training.

This **Postgraduate Certificate in Modeling Techniques and their Application in Rhino** contains the most complete and up-to-date educational program on the market. The most important features include

- ◆ The development of practical cases presented by experts in 3D Modeling in Rhino
- ◆ The graphic, schematic, and practical contents with which they are created, provide practical information on the disciplines that are essential for professional practice
- ◆ Practical exercises where self-assessment can be used to improve learning
- ◆ Its special emphasis on innovative methodologies
- ◆ Theoretical lessons, questions to the expert, debate forums on controversial topics, and individual reflection assignments
- ◆ Content that is accessible from any fixed or portable device with an Internet connection



*Access all the content of
this Postgraduate Certificate
whenever and wherever you want"*

“

This program, in addition to laying the theoretical and conceptualization foundations, provides a great practical dimension to the students”

The program's teaching staff includes professionals from the sector who contribute their work experience to this training program, as well as renowned specialists from leading societies and prestigious universities.

The multimedia content, developed with the latest educational technology, will provide the professional with situated and contextual learning, i.e., a simulated environment that will provide immersive education programmed to learn in real situations.

This program is designed around Problem-Based Learning, whereby the professional must try to solve the different professional practice situations that arise throughout the program. This will be done with the help of an innovative system of interactive videos made by renowned experts.

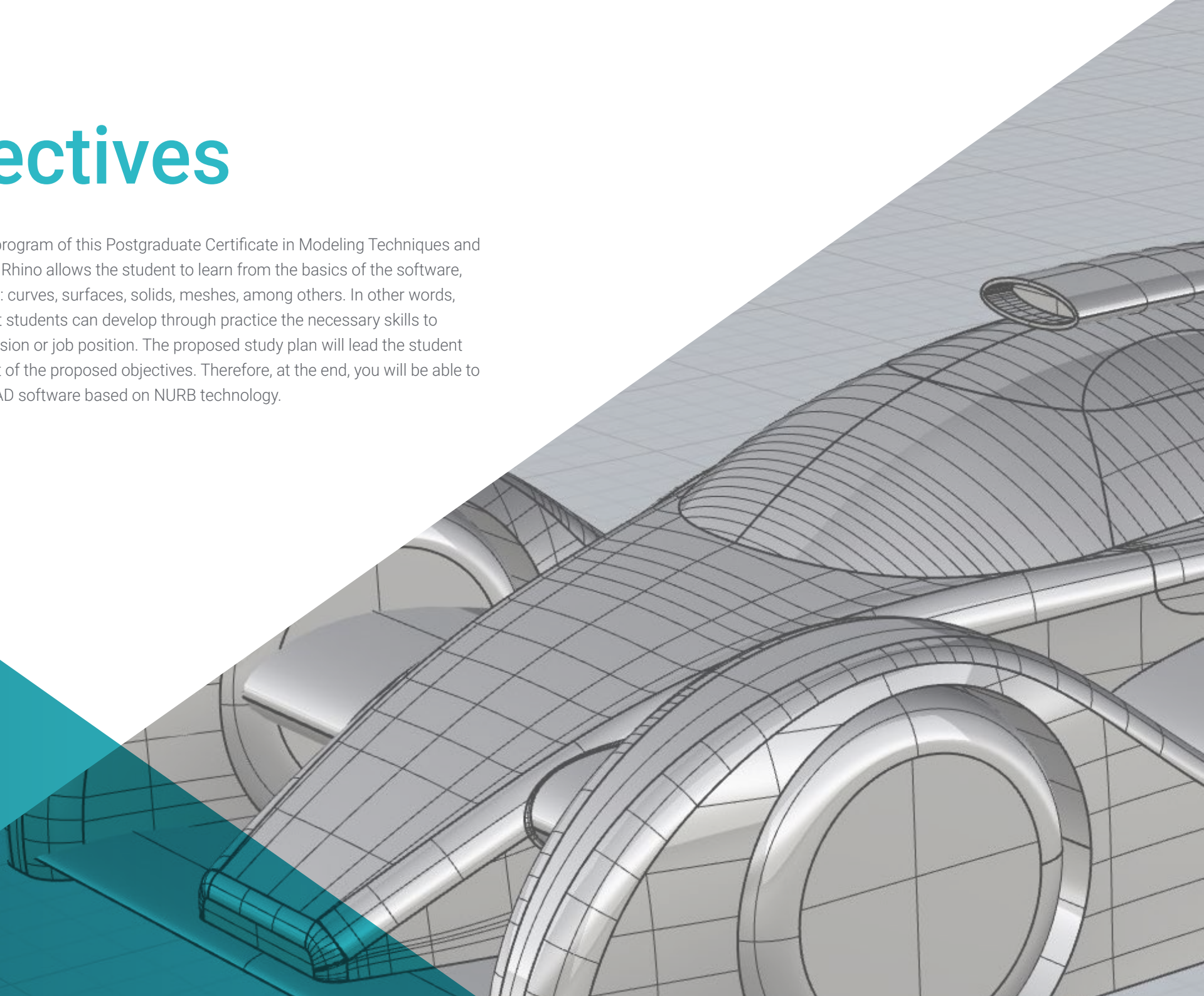
Get trained in modeling techniques and application in Rhino for the video game production industry.

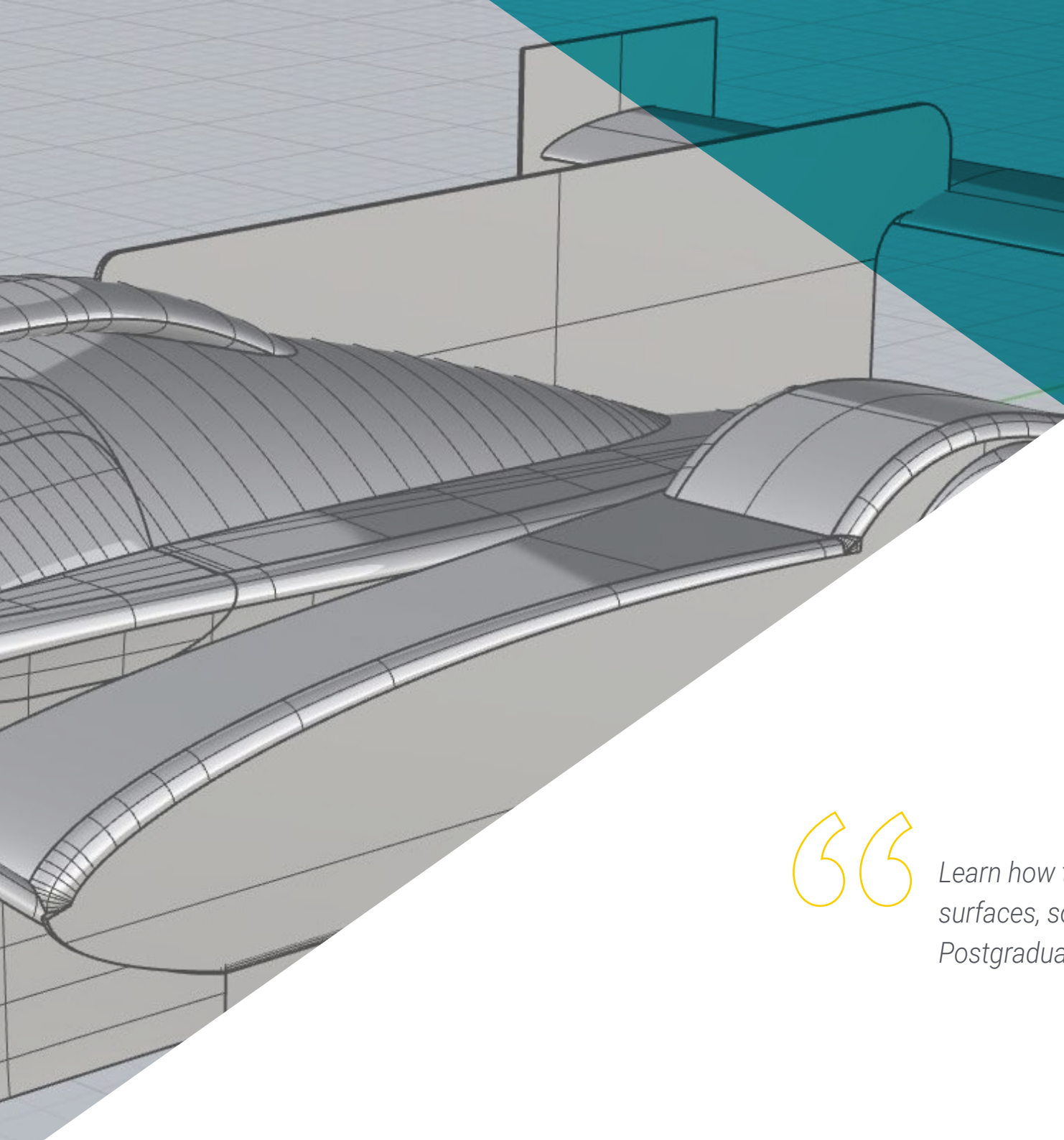
Access the most widely used tools in the industry to create the best 3D designs with Rhino.



02 Objectives

The design of the program of this Postgraduate Certificate in Modeling Techniques and their Application in Rhino allows the student to learn from the basics of the software, to efficiently model: curves, surfaces, solids, meshes, among others. In other words, the intention is that students can develop through practice the necessary skills to update their profession or job position. The proposed study plan will lead the student to the achievement of the proposed objectives. Therefore, at the end, you will be able to perfectly handle CAD software based on NURB technology.





“

Learn how to model in Rhino: curves, surfaces, solids and meshes, with this Postgraduate Certificate”



General Objectives

- ◆ In-depth knowledge of the different modeling techniques and their application in Rhino in order to apply them in the 3D modeling industry
- ◆ Delve into the theory of form creation to develop form masters
- ◆ Learn in detail the basics of 3D modeling in its various forms
- ◆ Generate designs for different industries and their application
- ◆ Be a technical expert and/or artist in 3D modeling in Rhino
- ◆ Know all the tools related to the 3D modeling profession





Specific Objectives

- ◆ Develop techniques to solve specific cases
- ◆ Apply solutions to different requirements
- ◆ Know the main software tools
- ◆ Incorporate mechanical knowledge into modeling
- ◆ Work with analysis tools
- ◆ Develop strategies to address a model

“

The objectives are set so that in 6 weeks, you will be able to control this complete design tool”

03

Course Management

This program is designed and planned by experts specialized in their areas. Students will study this educational plan under the guidance of the most qualified teachers, with ample experience and background in the labor field. Always under a comprehensive perspective, the faculty of this Postgraduate Certificate offers a content and agenda with theoretical application, but above all practical, so that the student is able to apply the knowledge in the possible challenges and professional opportunities that arise.





“

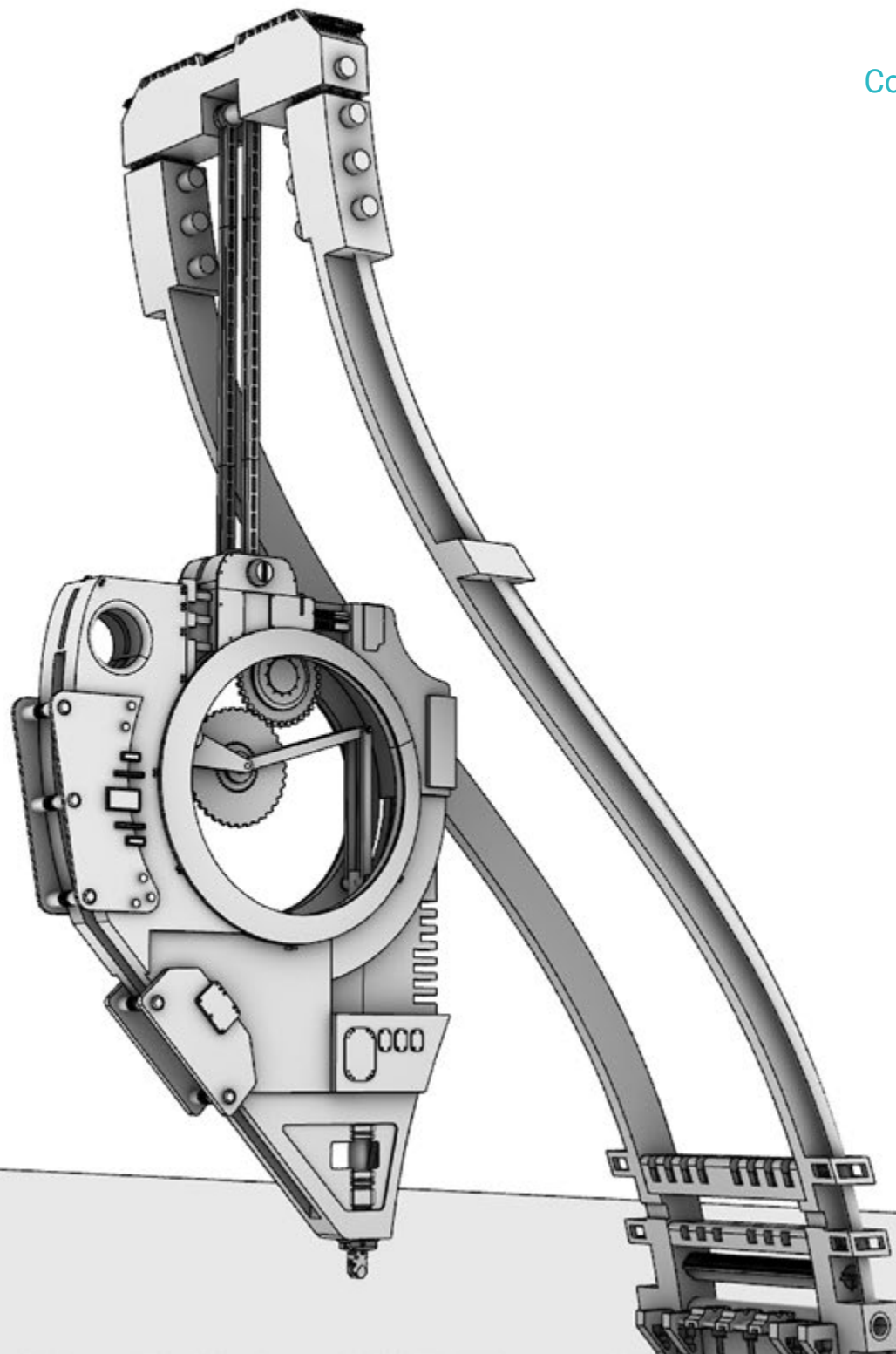
The teachers of this Postgraduate Certificate offer a content with theoretical application, but above all practical, so that you will be able to face the professional opportunities and challenges that arise"

Management



Mr. Salvo Bustos, Gabriel Agustín

- 9 years of experience in Aeronautical 3D modeling
- 3D Artist at 3D Visualization Service Inc
- 3D production for Boston Whaler
- 3D Modeler for Shay Bonder Multimedia TV Production Company
- Audiovisual Producer in Digital Film
- Product Designer for Escencia de los Artesanos by Eliana M
- Industrial Designer Specializing in Products National University of Cuyo
- Mendoza Late Contest Honorable Mention
- Exhibitor in Regional Visual Arts Salon Vendimia
- Digital Composition Seminar National University of Cuyo
- National Congress of Design and Production CPRODI



04

Structure and Content

The syllabus made available to the student has been elaborated based on the requirements of the gamer market on 3D modeling and the use of Rhino software. Likewise, the teachers of this Postgraduate Certificate have established a study plan in which they combine theory with practice, the latter being the most outstanding. Therefore, from the first section, students will create, model and analyze different figures, shapes and objects in 3D. The intention is to perfect the techniques and show the students, through the tasks, the different sectors in which they can apply the knowledge acquired.





“

A well-structured curriculum will give you the practical skills you need to face the job market”

Module 1. Modeling Techniques and their Application in Rhino

- 1.1. Techniques
 - 1.1.1. Support Intersection
 - 1.1.2. Creation of a Space Helmet
 - 1.1.3. Pipelines
- 1.2. Application I
 - 1.2.1. Creating a Car Tire
 - 1.2.2. Creating a Tire
 - 1.2.3. Modeling a Watch
- 1.3. Basic Techniques II
 - 1.3.1. Use of Isocurves and Edges for Modeling
 - 1.3.2. Making Apertures in the Geometry
 - 1.3.3. Working with Hinges
- 1.4. Application II
 - 1.4.1. Creation of a Turbine
 - 1.4.2. Creation of Air Inlets
 - 1.4.3. Tips for Imitating Edge Thickness
- 1.5. Tools
 - 1.5.1. Tips for Using Mirror Symmetry
 - 1.5.2. Use of Fillets
 - 1.5.3. Use of Trims
- 1.6. Mechanical Applications
 - 1.6.1. Creating Gears
 - 1.6.2. Pulley Construction
 - 1.6.3. Construction of a Shock Absorber
- 1.7. File Import and Export
 - 1.7.1. Sending Rhino Files
 - 1.7.2. Exporting Rhino Files
 - 1.7.3. Importing to Rhino from Illustrator



- 1.8. Analysis Tools I
 - 1.8.1. Graphical Curvature Analysis Tool
 - 1.8.2. Curve Continuity Analysis
 - 1.8.3. Curve Analysis Problems and Solutions
- 1.9. Analysis Tools II
 - 1.9.1. Surface Directional Analysis Tool
 - 1.9.2. Environment Surface Mapping Analysis Tool
 - 1.9.3. Edge Display Analysis Tool
- 1.10. Strategies
 - 1.10.1. Construction Strategies
 - 1.10.2. Surface per Curve Grid
 - 1.10.3. Working with Blueprints

“ A structured content designed so that you can follow it from the hand of the best teaching professionals in the field”



05

Methodology

This academic program offers students a different way of learning. Our methodology uses a cyclical learning approach: **Relearning**.

This teaching system is used, for example, in the most prestigious medical schools in the world, and major publications such as the **New England Journal of Medicine** have considered it to be one of the most effective.





“

Discover Relearning, a system that abandons conventional linear learning, to take you through cyclical teaching systems: a way of learning that has proven to be extremely effective, especially in subjects that require memorization"

Case Study to contextualize all content

Our program offers a revolutionary approach to developing skills and knowledge. Our goal is to strengthen skills in a changing, competitive, and highly demanding environment.

“

At TECH, you will experience a learning methodology that is shaking the foundations of traditional universities around the world”



You will have access to a learning system based on repetition, with natural and progressive teaching throughout the entire syllabus.



The student will learn to solve complex situations in real business environments through collaborative activities and real cases.

A learning method that is different and innovative

This TECH program is an intensive educational program, created from scratch, which presents the most demanding challenges and decisions in this field, both nationally and internationally. This methodology promotes personal and professional growth, representing a significant step towards success. The case method, a technique that lays the foundation for this content, ensures that the most current economic, social and professional reality is taken into account.

“*Our program prepares you to face new challenges in uncertain environments and achieve success in your career”*

The case method has been the most widely used learning system among the world's leading business schools for as long as they have existed. The case method was developed in 1912 so that law students would not only learn the law based on theoretical content. It consisted of presenting students with real-life, complex situations for them to make informed decisions and value judgments on how to resolve them. In 1924, Harvard adopted it as a standard teaching method.

What should a professional do in a given situation? This is the question that you are presented with in the case method, an action-oriented learning method. Over the course of 4 years, you will be presented with multiple practical case studies. You will have to combine all your knowledge, and research, argue, and defend your ideas and decisions.

Relearning Methodology

TECH effectively combines the Case Study methodology with a 100% online learning system based on repetition, which combines 8 different teaching elements in each lesson.

We enhance the Case Study with the best 100% online teaching method: Relearning.

In 2019, we obtained the best learning results of all online universities in the world.

At TECH you will learn using a cutting-edge methodology designed to train the executives of the future. This method, at the forefront of international teaching, is called Relearning.

Our university is the only one in the world authorized to employ this successful method. In 2019, we managed to improve our students' overall satisfaction levels (teaching quality, quality of materials, course structure, objectives...) based on the best online university indicators.



In our program, learning is not a linear process, but rather a spiral (learn, unlearn, forget, and re-learn). Therefore, we combine each of these elements concentrically.

This methodology has trained more than 650,000 university graduates with unprecedented success in fields as diverse as biochemistry, genetics, surgery, international law, management skills, sports science, philosophy, law, engineering, journalism, history, and financial markets and instruments. All this in a highly demanding environment, where the students have a strong socio-economic profile and an average age of 43.5 years.

Relearning will allow you to learn with less effort and better performance, involving you more in your training, developing a critical mindset, defending arguments, and contrasting opinions: a direct equation for success.

From the latest scientific evidence in the field of neuroscience, not only do we know how to organize information, ideas, images and memories, but we know that the place and context where we have learned something is fundamental for us to be able to remember it and store it in the hippocampus, to retain it in our long-term memory.

In this way, and in what is called neurocognitive context-dependent e-learning, the different elements in our program are connected to the context where the individual carries out their professional activity.



This program offers the best educational material, prepared with professionals in mind:



Study Material

All teaching material is produced by the specialists who teach the course, specifically for the course, so that the teaching content is highly specific and precise.

These contents are then applied to the audiovisual format, to create the TECH online working method. All this, with the latest techniques that offer high quality pieces in each and every one of the materials that are made available to the student.



Classes

There is scientific evidence suggesting that observing third-party experts can be useful.

Learning from an Expert strengthens knowledge and memory, and generates confidence in future difficult decisions.



Practising Skills and Abilities

They will carry out activities to develop specific skills and abilities in each subject area. Exercises and activities to acquire and develop the skills and abilities that a specialist needs to develop in the context of the globalization we live in.



Additional Reading

Recent articles, consensus documents and international guidelines, among others. In TECH's virtual library, students will have access to everything they need to complete their course.





Case Studies

Students will complete a selection of the best case studies chosen specifically for this program. Cases that are presented, analyzed, and supervised by the best specialists in the world.



Interactive Summaries

The TECH team presents the contents attractively and dynamically in multimedia lessons that include audio, videos, images, diagrams, and concept maps in order to reinforce knowledge.

This exclusive educational system for presenting multimedia content was awarded by Microsoft as a "European Success Story".



Testing & Retesting

We periodically evaluate and re-evaluate students' knowledge throughout the program, through assessment and self-assessment activities and exercises, so that they can see how they are achieving their goals.



06

Certificate

The Postgraduate Certificate in Modeling Techniques and their Application in Rhino guarantees students, in addition to the most rigorous and up-to-date education, access to a Postgraduate Certificate issued by TECH Global University.



“

Successfully complete this program and receive your university qualification without having to travel or fill out laborious paperwork”

This program will allow you to obtain your **Postgraduate Certificate in Modeling Techniques and their Application in Rhino** endorsed by **TECH Global University**, the world's largest online university.

TECH Global University is an official European University publicly recognized by the Government of Andorra ([official bulletin](#)). Andorra is part of the European Higher Education Area (EHEA) since 2003. The EHEA is an initiative promoted by the European Union that aims to organize the international training framework and harmonize the higher education systems of the member countries of this space. The project promotes common values, the implementation of collaborative tools and strengthening its quality assurance mechanisms to enhance collaboration and mobility among students, researchers and academics.

This **TECH Global University** title is a European program of continuing education and professional updating that guarantees the acquisition of competencies in its area of knowledge, providing a high curricular value to the student who completes the program.

Title: **Postgraduate Certificate in Modeling Techniques and their Application in Rhino**

Modality: **online**

Duration: **6 weeks**

Accreditation: **6 ECTS**



*Apostille Convention. In the event that the student wishes to have their paper diploma issued with an apostille, TECH Global University will make the necessary arrangements to obtain it, at an additional cost.

future
health confidence people
education information tutors
guarantee accreditation teaching
institutions technology learning
community commitment
personalized service innovation
knowledge present quality
development languages
virtual classroom



Postgraduate Certificate Modeling Techniques and their Application in Rhino

- » Modality: online
- » Duration: 6 weeks
- » Certificate: TECH Global University
- » Credits: 6 ECTS
- » Schedule: at your own pace
- » Exams: online

Postgraduate Certificate Modeling Techniques and their Application in Rhino

